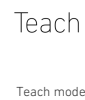
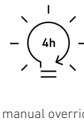
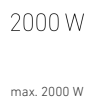


IS 3360

COM1 - concealed, sq. white
 EAN 4007841 033460
 Article number 033460



Function description

Higher, further, faster. Infrared presence detector IS 3360 for indoors and out, ideal for watching over high spaces and large areas, such as multi-storey and underground car parks, installation height up to 4 m, 360° angle of coverage, reach 20 m max. (tangential), heavy-duty relay for high switching capacity. Available either in round or square surface-mounted, concealed or In-ceiling installation.

Technical specifications

Dimensions (L x W x H)	78 x 94 x 94 mm
With motion detector	Yes
Manufacturer's Warranty	5 years
Settings via	Remote control, Potentiometers, Smart Remote
With remote control	No
Version	COM1 - concealed, sq. white
PU1, EAN	4007841033460
Type	Motion and Presence Detector
Application, place	Indoors
Application, room	production facilities, recreation room, changing room, function room / ancillary room, sports hall, reception / lobby, stairwell, WC / washroom, multi-storey / underground car park, warehouse, Indoors
Colour	white
Colour, RAL	9003

LED lamps > 8 W	600 W
Capacitive load in µF	176 µF
Technology, sensors	passive infrared, Light sensor
Mounting height	2,50 – 4,00 m
Mounting height max.	4,00 m
Optimum mounting height	2,8 m
Detection angle	360 °
Angle of aperture	180 °
Sneak-by guard	Yes
Capability of masking out individual segments	Yes
Electronic scalability	No
Mechanical scalability	No
Reach, radial	Ø 8 m (50 m ²)
Reach, tangential	Ø 40 m (1257 m ²)
Reach, presence	Ø 3 m (7 m ²)
Switching zones	1416 switching zones

IS 3360

COM1 - concealed, sq. white
 EAN 4007841 033460
 Article number 033460



Technical specifications

Includes corner wall mount	No
Installation site	ceiling
Installation	Concealed wiring, Ceiling
IP-rating	IP20
Ambient temperature	from -20 up to 50 °C
Material	Plastic
Mains power supply	220 – 240 V / 50 – 60 Hz
Switching output 1, resistive	2000 W
Switching output 1, number of LEDs / fluorescent lamps	8 pcs.
Fluorescent lamps, electronic ballast	1500 W
Fluorescent lamps, uncorrected	1000 VA
Fluorescent lamps, series-corrected	400 VA
Fluorescent lamps, parallel-corrected	400 VA
Switching output 1, low-voltage halogen lamps	2000 VA
LED lamps < 2 W	100 W
LED lamps > 2 W < 8 W	300 W

Functions	Normal / test mode, Manual ON / ON-OFF
Twilight setting	2 – 1000 lx
Time setting	5 s – 15 Min.
Basic light level function	No
Main light adjustable	No
Twilight setting TEACH	Yes
Constant-lighting control	No
Interconnection	Yes
Type of interconnection	Master/master
Interconnection via	Cable
Interconnection, number	max. 10 sensors
Product category	Presence detector

Accessories

EAN 4007841 009151	Remote control Smart Remote
EAN 4007841 559410	Service remote control RC8
EAN 4007841 056728	Black cover for IR-sensors

IS 3360

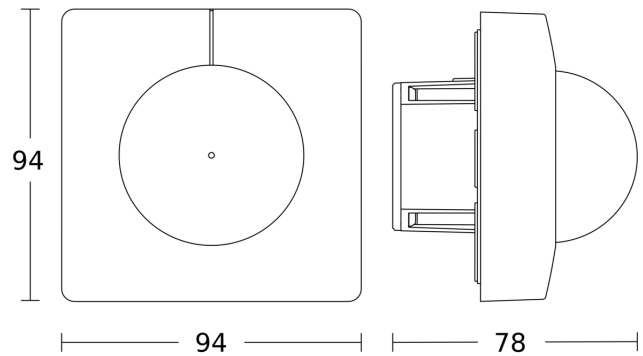
COM1 - concealed, sq. white
EAN 4007841 033460
Article number 033460

Detection Zone

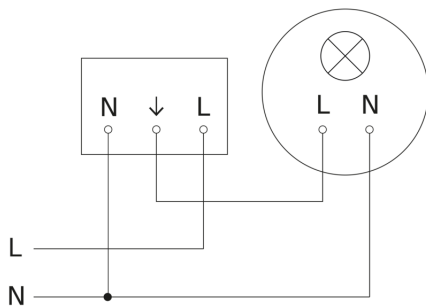


Possible mounting height: 2,50 m - 4,00 m
Orange: radial
Black: tangential

Dimension Drawing



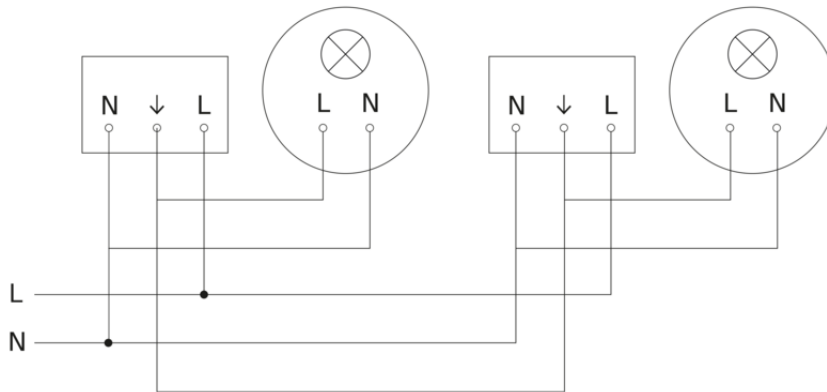
Circuit diagram



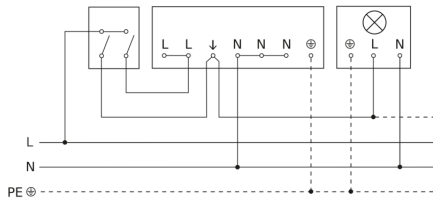
IS 3360

COM1 - concealed, sq. white
EAN 4007841 033460
Article number 033460

Circuit diagram for interconnecting several sensors



Connection using two-circuit switch for manual and automatic operation



Circuit diagram Connection via a changeover switch for continuous and automatic operation

